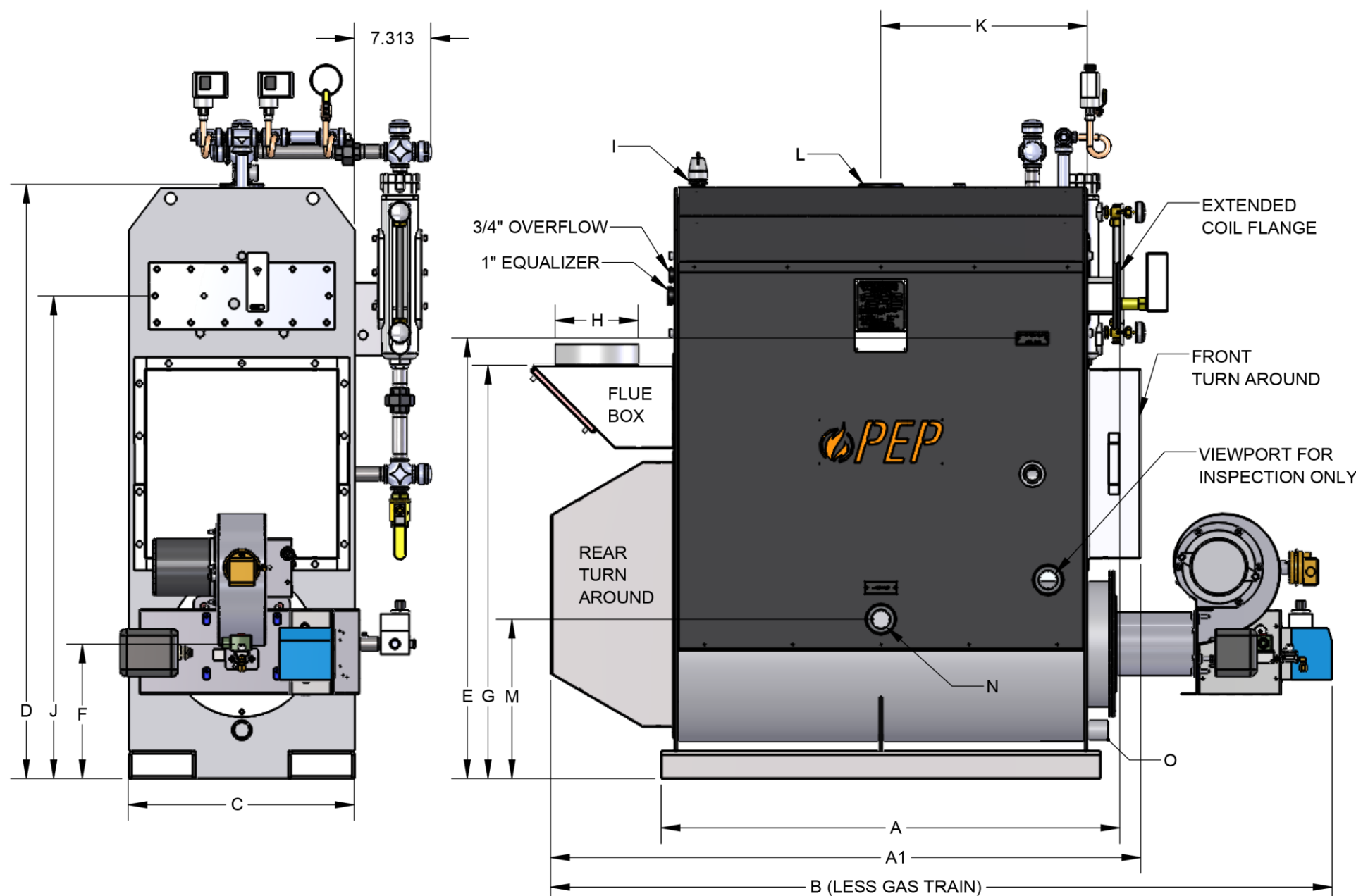


MPH-15 15 PSI Steam / 30 PSI Water

MODEL NUMBER	MPH-15
RATINGS	
Horsepower	15
Gas Input (BTU per hour)	630,000
Oil Input (Gal. per hour)	4.5
Gross Output (BTU per hour)	516,600
Gross Output Steam (Lbs. per hour)	518
Heating Surface - Sq. Ft. - Pipe	61.3
Heating Surface - Sq. Ft. - Tube	N/A
Furnace Volume - Cu. Ft.	2.5
Water Capacity Steam - Gal.	70
Steam Volume - Cu. Ft.	4.0
Water Capacity Flooded - Gal.	100
Number & Length 2" Sch. 40 Pipe	(30) 40-1/8"
Hand Hole # and size	N/A
TANKLESS COIL DATA	
Coil Model Number (1-1/4" Outlet)	N7
GPM Single Coil - 100°F Rise	5
GPM Twin Coil - 100° F Rise	N/A
BOILER DIMENSIONS	
A Bare Boiler (coil plate to end of runner)	43.9
A1 (Turnaround to Turnaround)	56.4
B Length (Turnaround to Gas Burner)	69
C Boiler Width	21.6
D Height Supply Outlet	56.9
E Minimum Safe Water Level	42.1
F Burner Opening to Floor	12.9
G Flue Box Height	39.6
H Flue Outlet Diameter	8
I Safety Valve Opening	1 NPT
J Coil Connections to Floor	46.2
K Supply Outlet Location	19.8
L Supply Outlet Size	3 NPT
M Return Inlet Height	15.3
N Return Inlet Size	1.5 NPT
O Drain Size	1.25NPT
Boiler Dry Weight	1283



POTTSTOWN ENGINEERED PRODUCTS